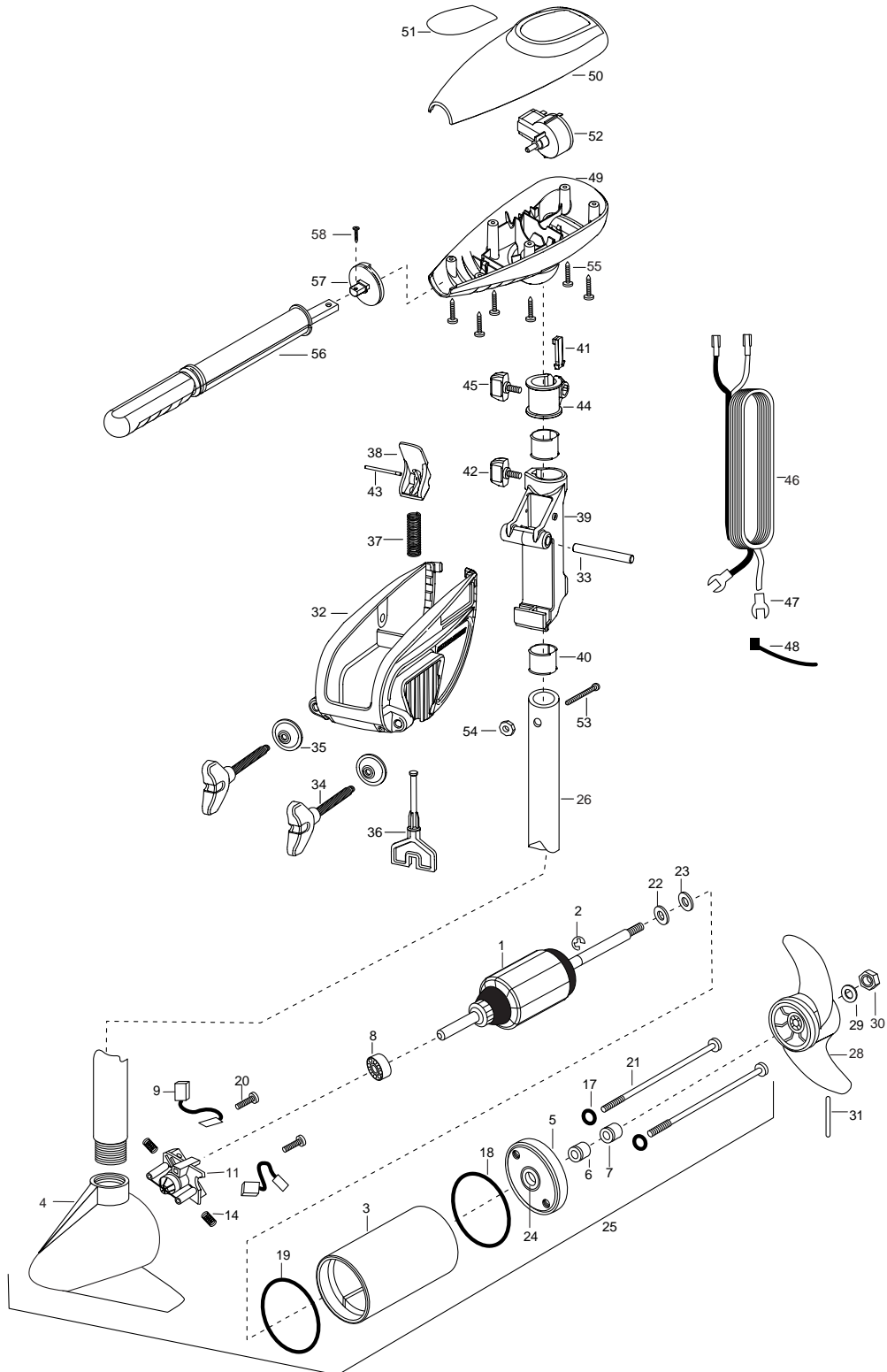


ENDURA 30
30 LBS THRUST
12 VOLT 30 AMPS
30" SHAFT

for use with "MKAF" serial numbers
2-year warranty from the date of purchase



1	2-100-277	ARMATURE ASSEMBLY 12v 3.25 FW 30#	SK830-001	SCREW -SELF THREAD [2.EA]	39	2061810	HINGE-PLASTIC	
	SK2-100-077	ARMATURE ASSEMBLY 12V 3.25 FW 30#	21	830-076	THRU BOLT 8-32X8.0 [2.EA]	40	2037301	BUSHING-HINGE [2.EA]
2	788-015	RETAINING RING		SK830-076	THRU BOLT [2.EA]	41	2062800	TENSION BLOCK-SNAP IN
3	2-200-177	HOUSING ASSEMBLY CENTER 3.25 TXT	22	990-067	WASHER- STEEL THRUST	42	2011385	SCREW, TENSION/KNOB
	SK2-200-177	HOUSING ASSEMBLY CENTER 3.25 TXT		SK990-067	WASHER - STEEL THRUST	43	2060515	PIN, TILT LEVER
4	2-300-142	BRUSH END HOUSING ASSEMBLY 3.25 SP:CO	23	990-070	WASHER- NYLATRON [2.EA]	44	2061520	COLLAR-DEPTH
	SK2-300-142	BRUSH END HOUSING ASSEMBLY 3.25 SP:CO		SK990-070	WASHER-NYLATRON [2 EA.]	45	2011365	SCREW-COLLAR/NEW KNOB
5	2-400-127	PLAIN END HOUSING ASSEMBLY 3.25	24	144-049	FLANGE BEARING (SERVICE ONLY)	46	2020605	LEADWIRE (14 GA) W/SPADE TERM
	SK2-400-127	PLAIN END HOUSING ASSEMBLY 3.25		SK144-049	FLANGE BEARING	47	2020703	SPADE TERMINAL 14GA HD [2.EA]
6	880-003	SEAL	25	2069260	MOTOR ASSEMBLY 12V 3.25 5SPC TXT	48	2026300	TIE WRAP
	SK880-003	SEAL	25A	2067060	MOTOR ASSEMBLY 12V 3.25 5SPC TXT	49	2062510	CONTROL BOX
7	880-006	SEAL W/SHIELD	26	2032045	TUBE, COMPOSITE 30"	50	2060214	CONTROL BOX COVER
	SK880-006	SEAL W/SHIELD	■	1378121	PROP W/DRIVE PIN, WASHER, NUT KIT	51	2065638	DECAL COVER ENDURA 30
8	140-010	BALL BEARING	28	2061121	PROPELLER 3.25 HUB DIA	52	2064023	SWITCH-FWD/REV 5 SP
9	188-052	BRUSH ASSEMBLY [2.EA]	29	2151726	WASHER- 5/16 STD SS	53	2033401	SCREW-10-24 X 1-3/4
11	738-030	BRUSH PLATE W/HOLDER 3.25	30	2053101	NUT-PROP NYLOCK (MED) SS	54	2013110	NUT-10-24 HEX
	SK738-030	BRUSH PLATE W/HOLDER 3.25	31	2092600	PIN-DRIVE	55	2012100	SCREW-8-18 X 5/8 [6.EA]
14	975-032	SPRING- COMPRESSION [2.EA]	■	2771818	BRACKET & HINGE ASSEMBLY (INCLUDES- 32—43)	56	2990901	HANDLE ASSEMBLY 5 SPEED
	SK975-032	SPRING- COMPRESSION [2.EA]	■	2771910	BRACKET ASSEMBLY (INCLUDES- 32,34,35)	57	2060405	PIVOT, HANDLE
17	701-007	O-RING- THRU BOLT [2.EA]	*32	2061910	BRACKET	58	2012102	SCREW
	SK701-007	O-RING- THRU BOLT [2.EA]	33	2060510	PIN-HINGE	■	2883460	SEAL AND O RING KIT
18	701-039	O-RING MK406460	*34	2061300	SCREW-CLAMP [2.EA]	■	SK2883460	SEAL AND O RING KIT
	SK701-039	O-RING [PLAIN END HOUSING]	*35	2011710	WASHER-CLAMP SCREW [2.EA]			
19	701-041	O-RING	36	2063605	T-BAR, PLASTIC			
	SK701-041	O-RING	37	2062706	SPRING- (T-BAR)			
20	830-001	SCREW- SELF THREAD 8-32X1.7 [2.EA]	38	2067201	LEVER-TILT BLACK			

* This item is part of an assembly. This item cannot be sold separately due to machining and /or assembly that is required.

P/N 2064924 REV.E 12-03

*When ordering replacement parts for lower motor assembly, only identify motor assembly part number- item 25 and 25A. For motor assembly 2067060, order parts with "SK" prefix.

