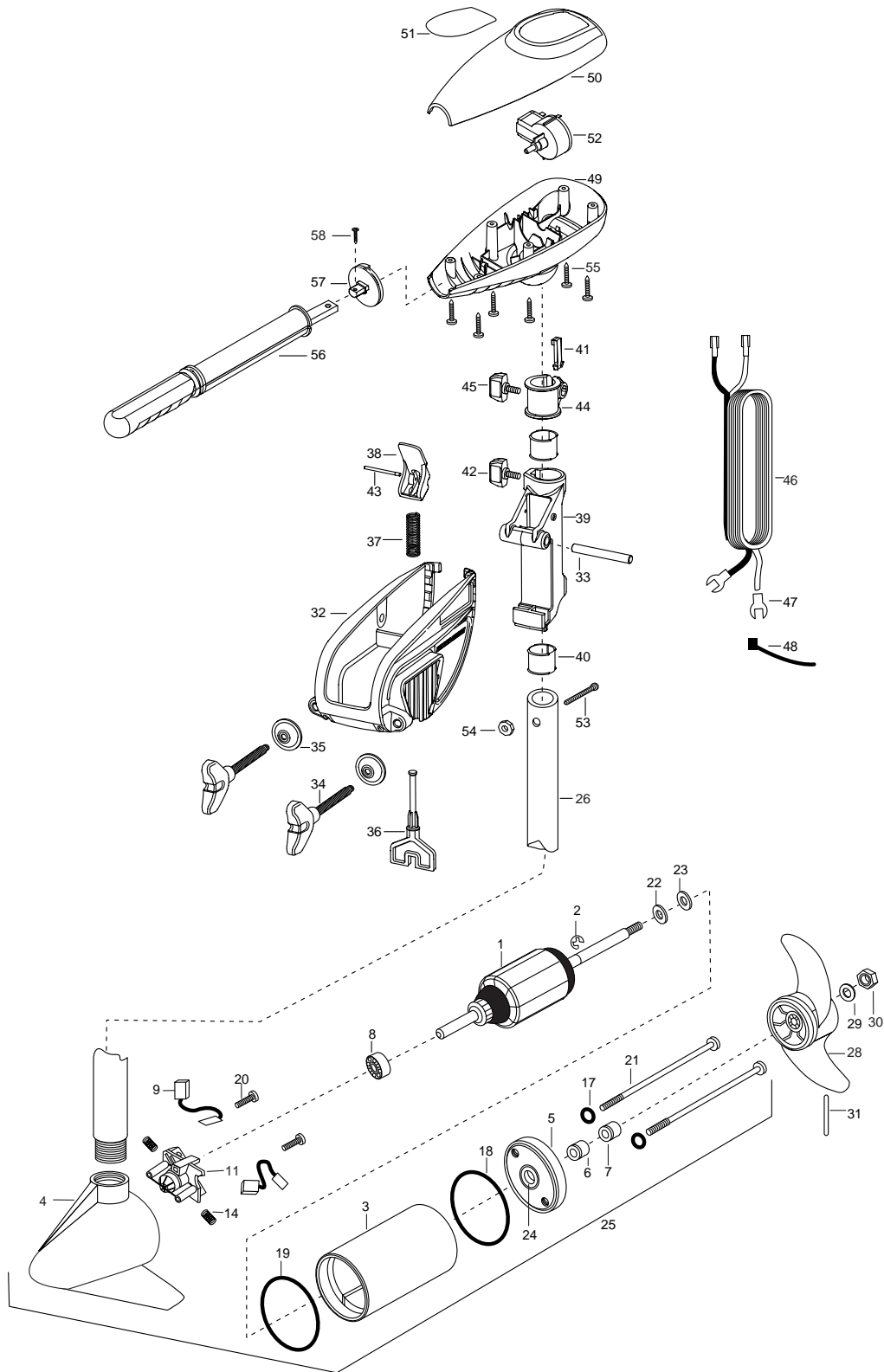


ENDURA 34
34 lbs Thrust
36" Shaft 32 AMPS
12 volt

for use with motors with serial numbers beginning MKAE
2-year warranty from the date of purchase



| | | | | | | | |
|----|-------------|---------------------------------------|-------------|--------------------------------------|----|---------|---------------------------------|
| 1 | 2-100-277 | ARMATURE ASSEMBLY 12V 3.25 5SPDC TXT | SK830-001 | SCREW -SELF THREAD [2.EA] | 40 | 2037301 | BUSHING-HINGE [2.EA] |
| | SK2-100-277 | ARMATURE ASSEMBLY 12V 3.25 FW 30# | 21 830-076 | THRU BOLT 8-32X8.0 [2.EA] | 41 | 2062800 | TENSION BLOCK-SNAP IN |
| 2 | 788-015 | RETAINING RING | SK830-076 | THRU BOLT [2.EA] | 42 | 2011385 | SCREW, TENSION/KNOB |
| 3 | 431-177 | HOUSING ASSEMBLY CENTER 3.25 TXT | 22 990-067 | WASHER- STEEL | 43 | 2060515 | PIN, TILT LEVER |
| | SK2-200-177 | HOUSING ASSEMBLY CENTER 3.25 TXT | 23 990-070 | WASHER- NYLATRON [2.EA] | 44 | 2061520 | COLLAR-DEPTH ENDURA |
| 4 | 2-300-132 | BRUSH END HOUSING ASSEMBLY 3.25 SP CO | 24 144-049 | FLANGE BEARING (SERVICE ONLY) | 45 | 2011365 | SCREW-COLLAR/NEW KNOB |
| | SK2-300-142 | BRUSH END HOUSING ASSEMBLY 3.25 SPCO | 25 2069261 | MOTOR ASSEMBLY 12V 3.25 5SPC | 46 | 2020605 | LEADWIRE (14 GA) W/SPADE TERM |
| 5 | 2-400-128 | PLAIN END HOUSING ASSEMBLY | 25A 2067061 | MOTOR ASSEMBLY 12V 3.25 5SPC | 47 | 2020703 | SPADE TERMINAL 14GA HD [2.EA] |
| | SK2-400-128 | PLAIN END HOUSING ASSEMBLY 3.25 | 26 2032046 | TUBE, COMPOSITE 36" | 48 | 2026300 | TIE WRAP |
| 6 | 880-003 | **SEAL | ■ 1378121 | PROPELLER KIT (includes items 28-31) | 49 | 2062510 | CONTROL BOX ENDURA |
| | SK880-033 | **SEAL | 28 2061121 | PROPELLER- 3.25" DIA HUB | 50 | 2060214 | CONTROL BOX COVER ENDURA |
| 7 | 880-006 | **SEAL W/SHIELD | 29 2151726 | WASHER- 5/16 STD SS | 51 | 2065644 | DECAL COVER ENDURA 34 |
| | SK880-006 | **SEAL W/SHIELD | 30 2053101 | NUT-PROP NYLOCK 5/16 (MED) SS | 52 | 2064023 | SWITCH-FWD/REV 5 SP |
| 8 | 140-010 | BALL BEARING | 31 2092600 | PIN-DRIVE SS | 53 | 2033401 | SCREW-10-24 X 1-3/4 PPH ZP |
| 9 | 188-052 | BRUSH ASSEMBLY [2.EA] | ■ 2771818 | BRACKET & HINGE ASSEMBLY | 54 | 2013110 | NUT-10-24 HEX ZCP |
| 11 | 738-030 | BRUSH PLATE W/HOLDER 3.25 | | (INCLUDES- 32—43) | 55 | 2012100 | SCREW-8-18 X 5/8 THD CUT [6.EA] |
| | SK738-030 | BRUSH PLATE W/HOLDER 3.25 | ■ 2771910 | BRACKET ASSEMBLY | 56 | 2990901 | HANDLE ASSEMBLY 5 SPEED |
| 14 | 975-032 | SPRING- COMPRESSION [2.EA] | | (INCLUDES- 32,34,35) | 57 | 2060405 | PIVOT, HANDLE |
| | SK975-032 | SPRING- COMPRESSION [2.EA] | *32 2061910 | BRACKET- PLASTIC ENDURA | 58 | 2012102 | SCREW |
| 17 | 701-007 | **O-RING- THRU BOLT [2.EA] | 33 2060510 | PIN-HINGE ENDURA | | | |
| | SK701-007 | **O-RING- THRU BOLT [2.EA] | *34 2061300 | SCREW-CLAMP [2.EA] ENDURA | | | |
| 18 | 701-039 | **O-RING MK406460 | *35 2011710 | WASHER-CLAMP SCREW [2.EA] | | | |
| | SK701-039 | **O-RING [PLAIN END HOUSING] | 36 2063605 | T-BAR, PLASTIC ENDURA | | | |
| 19 | 701-041 | **O-RING | 37 2062706 | SPRING- (T-BAR) ENDURA | | | |
| | SK701-041 | **O-RING | 38 2067201 | LEVER-TILT BLACK ENDURA | | | |
| 20 | 830-001 | SCREW- SELF THREAD [2.EA] | 39 2061810 | HINGE-PLASTICENDURA | | | |

****Seal & Oring Kit P/n 2883460 or SK2883460**

* This item is part of an assembly. This item cannot be sold separately due to machining and /or assembly that is required.

P/N2064930 REV.C 12-03

*When ordering replacement parts for lower motor assembly, only identify motor assembly part number- item 25 and 25A. For motor assembly 2067061, order parts with "SK" prefix.

