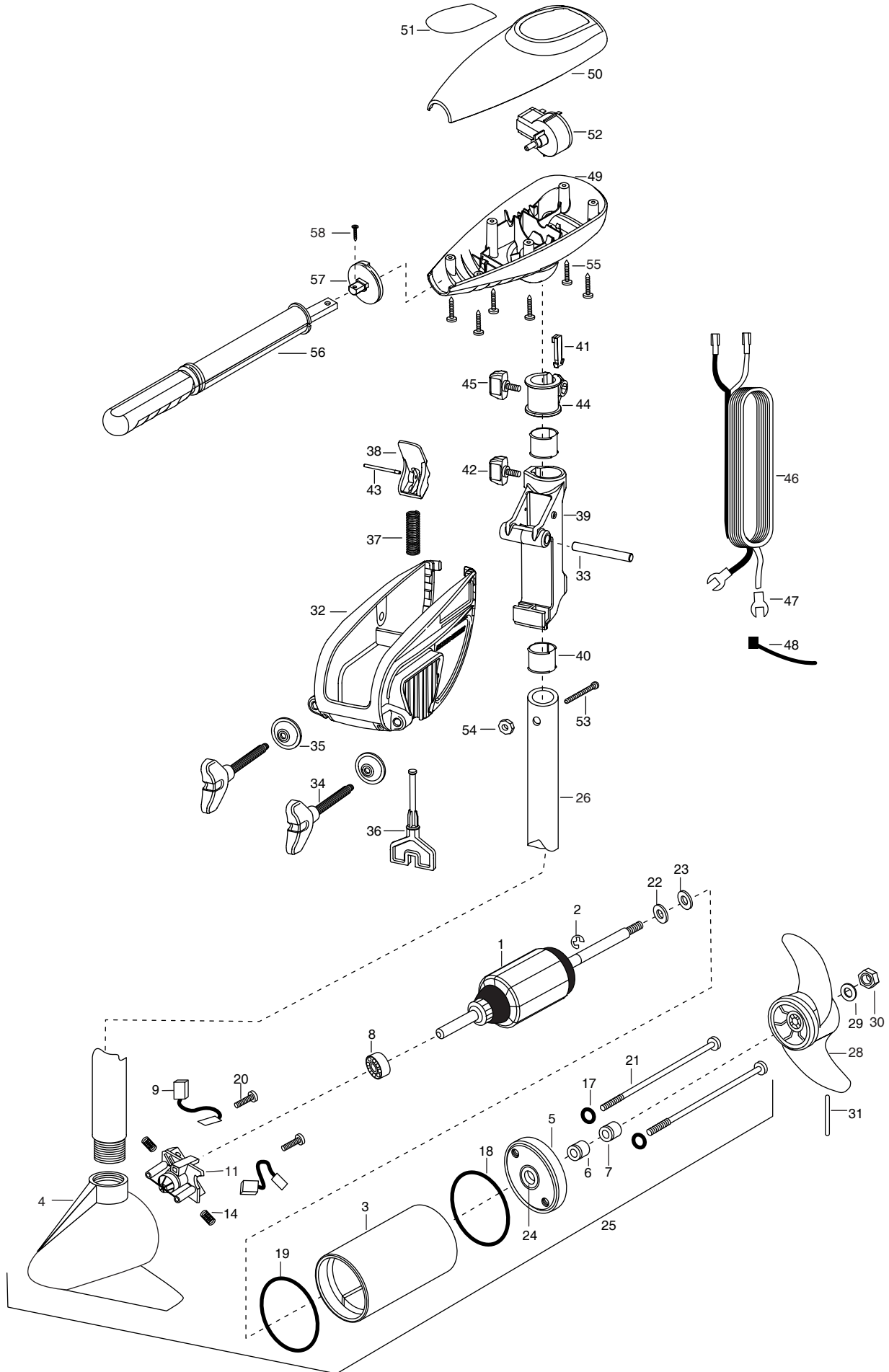


ENDURA 34
34 lbs Thrust
36" Shaft
12 volt 32 amps

for use with "MKAF" serial numbers
2-year warranty from the date of purchase



1	2-100-277	ARMATURE ASSEMBLY 12V 3.25 5SPDC TXT		SK830-001	SCREW -SELF THREAD [2.EA]	37	2062706	SPRING- (T-BAR) ENDURA
	SK2-100-077	ARMATURE ASSEMBLY 12V 3.25 FW 30#	21	830-076	THRU BOLT 8-32X8.0 [2.EA]	38	2067201	LEVER-TILT BLACK ENDURA
2	788-015	RETAINING RING		SK830-076	THRU BOLT [2.EA]	39	2061810	HINGE-PLASTICENDURA
3	2-200-177	HOUSING ASSEMBLY CENTER 3.25 TXT	22	990-067	WASHER- STEEL	40	2037301	BUSHING-HINGE [2.EA]
	SK2-200-177	HOUSING ASSEMBLY CENTER 3.25 TXT		SK990-067	WASHER - STEEL	41	2062800	TENSION BLOCK-SNAP IN
4	2-300-132	BRUSH END HOUSING ASSEMBLY3.25 SP CO	23	990-070	WASHER- NYLATRON [2.EA]	42	2011385	SCREW, TENSION/KNOB
	SK2-300-132	BRUSH END HOUSING ASSEMBLY 3.25 SP.CO		SK990-070	WASHER NYLATRON [2 EA.]	43	2060515	PIN, TILT LEVER
5	2-400-128	PLAIN END HOUSING ASSEMBLY	24	144-049	FLANGE BEARING (SERVICE ONLY)	44	2061520	COLLAR-DEPTH ENDURA
	SK2-400-127	PLAIN END HOUSING ASSEMBLY 3.25		SK144-049	FLANGE BEARING	45	2011365	SCREW-COLLAR/NEW KNOB
6	880-003	SEAL	25	2069261	MOTOR ASSEMBLY 12V 3.25 5SPC	46	2020605	LEADWIRE (14 GA) W/SPADE TERM
	SK880-003	SEAL	25A	2067061	MOTOR ASSEMBLY 12V 3.25 5SPC	47	2020703	SPADE TERMINAL 14GA HD [2.EA]
7	880-006	SEAL W/SHIELD	26	2032046	TUBE, COMPOSITE 36"	48	2026300	TIE WRAP
	SK880-006	SEAL W/SHIELD	■	1378121	PROPELLER KIT	49	2062510	CONTROL BOX ENDURA
8	140-010	BALL BEARING	28	2061122	PROPELLER- 3.25" DIA HUB	50	2060214	CONTROL BOX COVER ENDURA
9	188-052	BRUSH ASSEMBLY [2.EA]	29	2151726	WASHER- 5/16 STD SS	51	2065644	DECAL COVER ENDURA 34
11	738-030	BRUSH PLATE W/HOLDER 3.25	30	2053101	NUT-PROP NYLOCK 5/16 (MED) SS	52	2064023	SWITCH-FWD/REV 5 SP
	SK738-030	BRUSH PLATE W/HOLDER 3.25	31	2092600	PIN-DRIVE SS	53	2033401	SCREW-10-24 X 1-3/4 PPH ZP
14	975-032	SPRING- COMPRESSION [2.EA]	■	2771818	BRACKET & HINGE ASSEMBLY	54	2013110	NUT-10-24 HEX ZCP
	SK975-032	SPRING- COMPRESSION [2.EA]			(INCLUDES- 32—43)	55	2012100	SCREW-8-18 X 5/8 THD CUT [6.EA]
17	701-007	O-RING- THRU BOLT [2.EA]	■	2771910	BRACKET ASSEMBLY	56	2990901	HANDLE ASSEMBLY 5 SPEED
	SK701-007	O-RING- THRU BOLT [2.EA]			(INCLUDES- 32,34,35)	57	2060405	PIVOT, HANDLE
18	701-039	O-RING MK406460	*32	2061910	BRACKET- PLASTIC ENDURA	58	2012102	SCREW
	SK701-039	O-RING [PLAIN END HOUSING]	33	2060510	PIN-HINGE ENDURA			
19	701-041	O-RING	*34	2061300	SCREW-CLAMP [2.EA] ENDURA			
	SK701-041	O-RING	*35	2011710	WASHER-CLAMP SCREW [2.EA]			
20	830-001	SCREW- SELF THREAD [2.EA]	36	2063605	T-BAR, PLASTIC ENDURA			

* This item is part of an assembly. This item cannot be sold separately due to machining and /or assembly that is required.

P/N2064930 REV.C 12-03

*When ordering replacement parts for lower motor assembly, only identify motor assembly part number- item 25 and 25A. For motor assembly 2067061, order parts with "SK" prefix.

