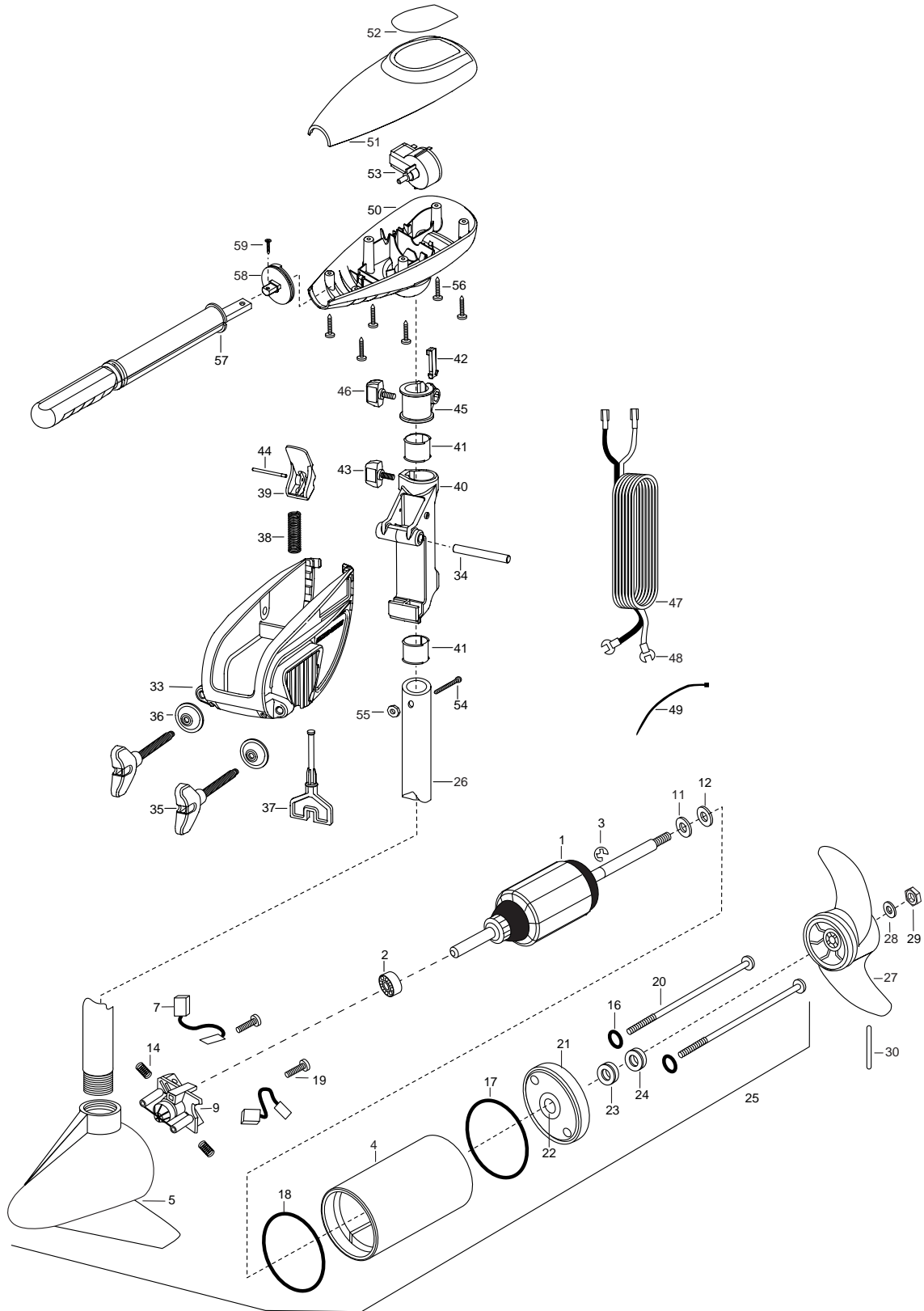


ENDURA 38
38 lbs Thrust
12 Volt 38 Amps
36" Shaft

for use with motors with serial numbers beginning MKAE
2-year warranty from the date of purchase



1	2-100-278	ARM ASSEMBLY 12V 3.25	*35	2061300	SCREW-CLAMP ENDURA [2.EA]
2	140-010	BEARING-BALL	*36	2011710	WASHER-CLAMP SCREW ENDURA [2.EA]
3	788-015	RETAINING RING	37	2063605	T-BAR, PLASTIC ENDURA
4	2-200-079	HOUSING ASSEMBLY CENTER 3.25 FW TXT	38	2062706	SPRING- (T-BAR) ENDURA
5	2-300-132	BRUSH END HOUSING ASSEMBLY 3.25 SP CO	39	2067201	LEVER-TILT BLACK ENDURA
7	188-052	BRUSH ASSEMBLY [2 EA]	40	2061810	HINGE-PLASTIC ENDURA
9	738-030	BRUSH PLATE W/HOLDER 3.25 ASSEMBLY	41	2037301	BUSHING-HINGE [2.EA]
11	990-067	WASHER- STEEL THRUST	42	2062800	TENSION BLOCK-SNAP IN
12	990-070	WASHER- NYLATRON [2.EA]	43	2011385	SCREW, TENSION/KNOB
14	975-032	SPRING - COMPRESSION [2.EA]	44	2060515	PIN, TILT LEVER
16	701-007	**O-RING [2. EA]	45	2061520	COLLAR-DEPTH
17	701-039	**O-RING MK406460	46	2011365	SCREW-COLLAR/NEW KNOB
18	701-041	**O-RING	47	2050609	LEADWIRE- 10 GA SPADE TERM
19	830-001	SCREW- SELF-THREAD 8-32X1.7 [2.EA]	48	2020702	SPADE TERMINAL 10GA [2.EA]
20	830-078	THRU BOLT 8-32 X 8.96 [2. EA]	49	2026300	TIE WRAP
21	2-400-127	PLAIN END HOUSING ASSEMBLY	50	2062510	CONTROL BOX
22	144-099	FLANGE BEARING (SERVICE ONLY)	51	2060214	CONTROL BOX COVER- ENDURA
23	880-003	**SEAL	52	2065645	DECAL- COVER ENDURA 38
24	880-006	**SEAL WITH SHIELD	53	2064023	SWITCH-FWD/REV 5 SP
25	2069241	MOTOR ASSEMBLY 12V 3.25 5SPC FW	54	2033401	SCREW-10-24 X 1-3/4 PPH ZP
26	2032046	TUBE, COMPOSITE 36"	55	2013110	NUT-10-24 HEX ZCP
■	1378121	PROP KIT (includes 27-30)	56	2012100	SCREW-8-18 X 5/8 THD CUT [6.EA]
27	2061121	PROP- 3.25 DIA HUB	57	2990901	HANDLE ASSEMBLY 5 SPEED
28	2151726	WASHER-PROP (MEDIUM)	58	2060405	PIVOT, HANDLE
29	2053101	NUT-PROP NYLOC	59	2012102	SCREW
30	2092600	PIN-DRIVE			
■	2771818	BRACKET & HINGE ASSEMBLY (INCLUDES- 33—44)			
■	2771910	BRACKET ASSEMBLY (INCLUDES- 33,35,36)			
*33	2061910	BRACKET- ENDURA			
34	2060510	PIN-HINGE ENDURA			
■	2881300	SCREW-CLAMP, WASHER, RETAINER [2.EA] KIT			

**Seal & Oring Kit P/N 2883460

* This item is part of an assembly. This item cannot be sold separately due to machining and /or assembly that is required. P/N 2064941 REV.A 6-02

