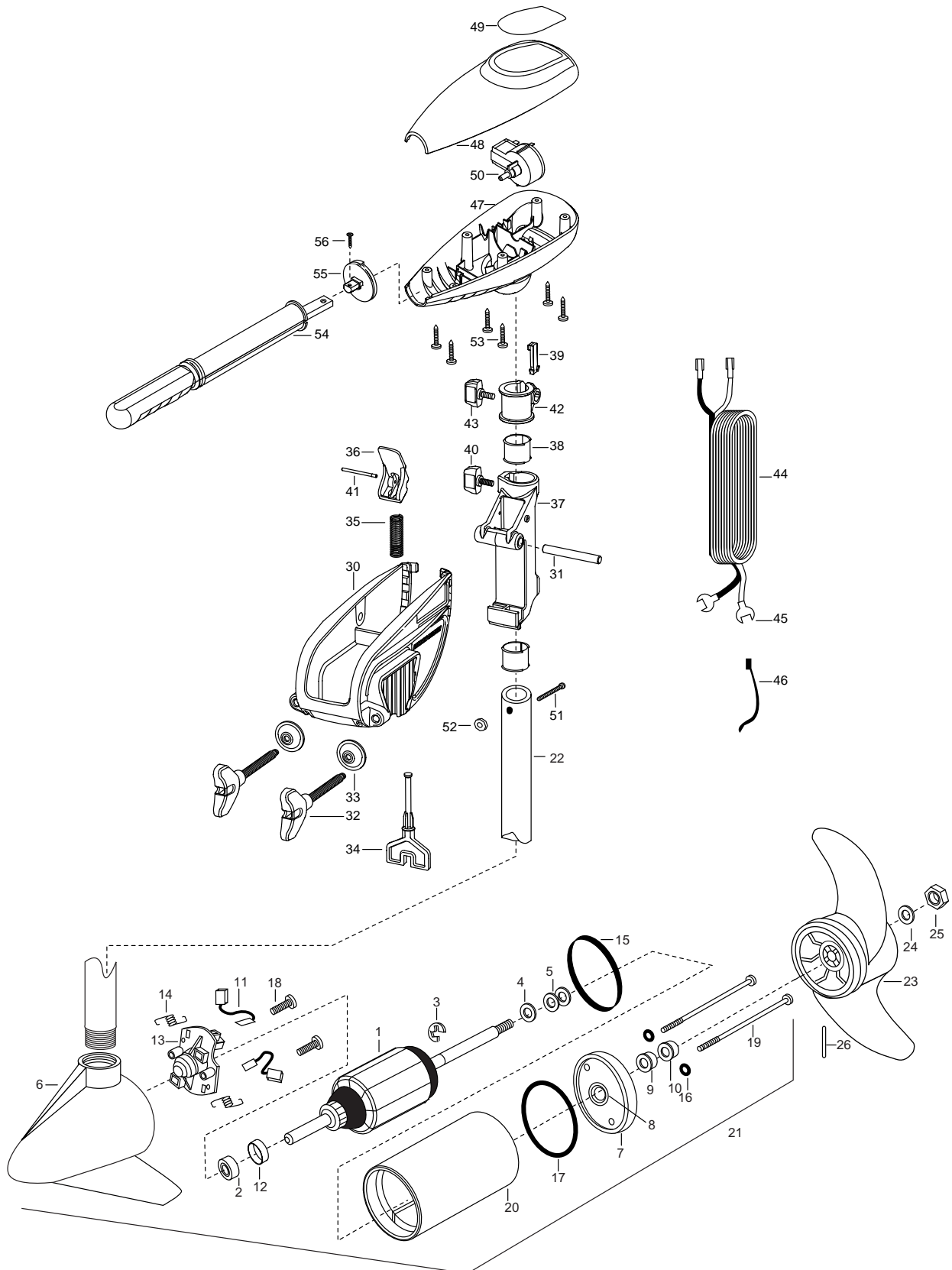


ENDURA 50
50 LBS THRUST
12 VOLT 42 AMPS
36" OR 42" SHAFT

for use with motors with serial numbers beginning MKAE
2-year warranty from the date of purchase



1	92-100-098	ARMATURE ASSEMBLY 12V 3.62 5SPC TEXT 47	■	2771818	BRACKET & HINGE ASSEMBLY (INCLUDES- 30—41)
2	140-010	BEARING- BALL	■	2771910	BRACKET ASSEMBLY (INCLUDES- 30,32,33)
3	788-015	RETAINING RING	*30	2061910	BRACKET
4	990-067	WASHER- STEEL THRUST	31	2060510	PIN-HINGE
5	990-070	WASHER- NYLATRON [2.EA]	■	2881300	SCREW-CLAMP, WASHER, RETAINER KIT [2.EA]
6	2-300-196	BRUSH END HOUSING ASSEMBLY 36"	*32	2061300	SCREW-CLAMP [2.EA]
	2-300-195	BRUSH END HOUSING ASSEMBLY 42"	*33	2011710	WASHER-CLAMP SCREW [2.EA]
7	2-400-101	PLAIN END HOUSING ASSEMBLY	34	2063605	T-BAR, PLASTIC
8	144-049	BEARING- FLANGE ,SERVICE ONLY	35	2062706	SPRING- (T-BAR)
9	880-003	**SEAL	36	2067201	LEVER-TILT BLACK
10	880-006	**SEAL WITH SHIELD	37	2061810	HINGE-PLASTIC
11	188-036	BRUSH ASSEMBLY [2.EA]	38	2037301	BUSHING-HINGE [2.EA]
12	725-050	BRUSH RETENTION- PAPER TUBE	39	2062800	TENSION BLOCK-SNAP IN
13	738-036	BRUSH PLATE WITH HOLDER	40	2011385	SCREW, TENSION/KNOB
14	975-040	SPRING- TORSION [2.EA]	41	2060515	PIN, TILT LEVER
15	337-036	**GASKET	42	2061520	COLLAR-DEPTH
16	701-008	**O-RING [2.EA]	43	2011365	SCREW-COLLAR/NEW KNOB
17	701-081	**O-RING	44	2050609	LEADWIRE (10 GA) SPADE TERM
18	830-007	SCREW- #8-32X1 [2.EA]	45	2020702	SPADE TERMINAL 10GA. [2.EA]
19	830-042	THRU BOLT 10-32X8.83 [2EA]	46	2026300	TIE WRAP
20	431-101	HOUSING ASSEMBLY- CENTER	47	2062510	CONTROL BOX
21	2099030	MOTOR ASSEMBLY 36"	48	2060214	CONTROL BOX COVER
	2099032	MOTOR ASSEMBLY 42"	49	2065642	DECAL COVER ENDURA 50
22	2032052	TUBE COMPOSITE 36"	50	2064023	SWITCH-FWD/REV 5 SP
	2032053	TUBE COMPOSITE 42"	51	2033400	SCREW-10-24 X 1-3/4
■	1378122	PROPELLER KIT (includes 23-26)	52	2013110	NUT-10-24 HEX
23	2091150	PROPELLER W/WEDGE	53	2012100	SCREW-8-18 X 5/8 [6.EA]
24	2151726	WASHER- 5/16 STD SS	54	2990901	HANDLE ASSEMBLY 5 SPEED
25	2053101	NUT-PROP NYLOC (MEDIUM)	55	2060405	PIVOT, HANDLE
26	2092600	PIN-DRIVE	56	2012102	SCREW

****Seal & Oring Kit P/N 2888460**

* This item is part of an assembly. This item cannot be sold separately due to machining and /or assembly that is required.

P/N 2064928 REV.A 6-02

