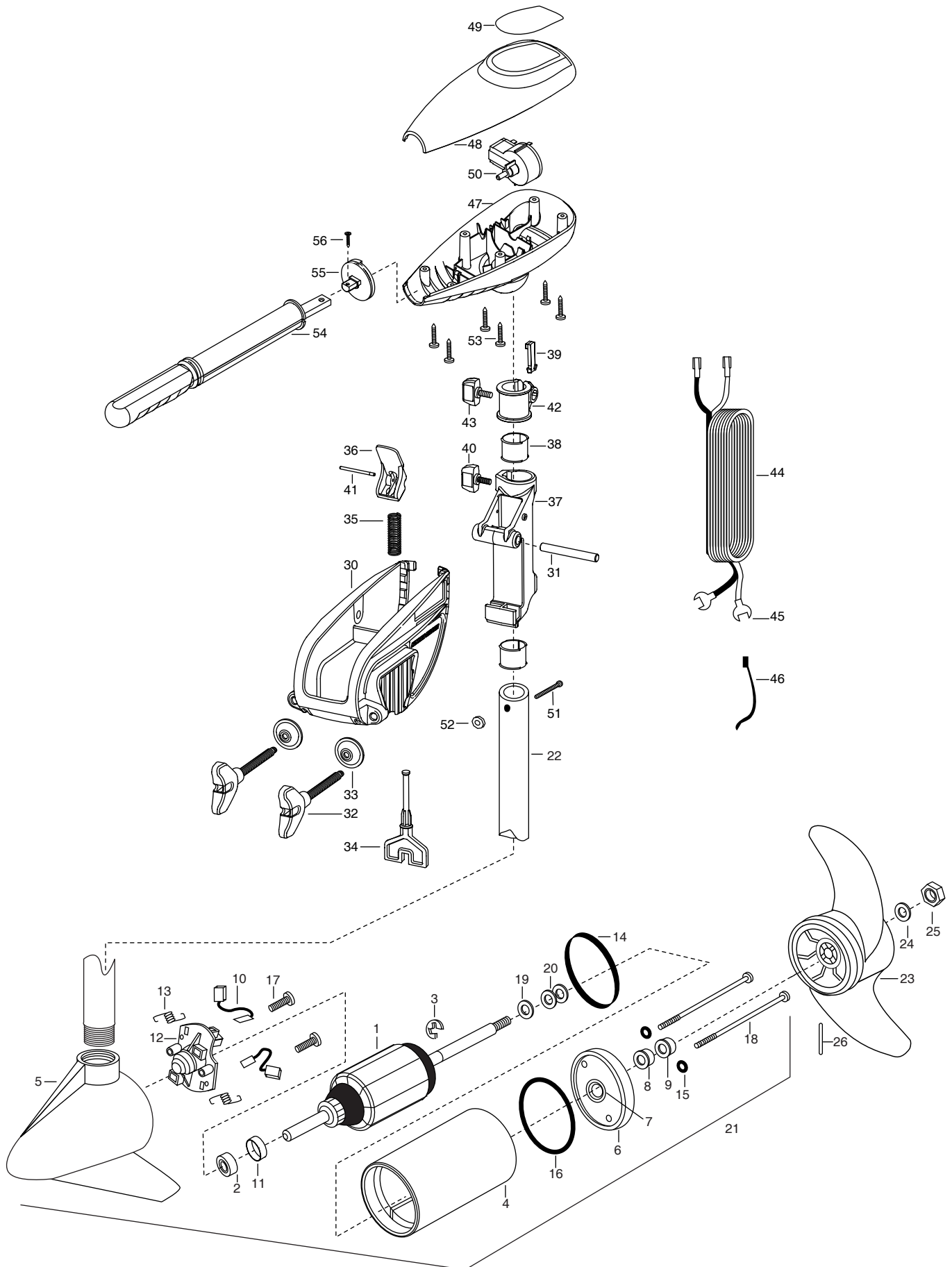


ENDURA 50
50 LBS. THRUST
12 VOLT 42 AMPS
36" OR 42" SHAFT

for use with "WWAF" serial numbers
2-year warranty from the date of purchase



1	2-100-118	ARMATURE ASSEMBLY 12V 3.62 5SPC TEXT 47	■	2771818	BRACKET & HINGE ASSEMBLY (INCLUDES- 30—41)
2	140-010	BEARING- BALL	■	2771910	BRACKET ASSEMBLY (INCLUDES- 30,32,33)
3	788-015	RETAINING RING	*30	2061910	BRACKET
4	431-101	HOUSING ASSEMBLY- CENTER	31	2060510	PIN-HINGE
5	2-300-196	BRUSH END HOUSING ASSEMBLY 36"	■	2881300	SCREW-CLAMP, WASHER, RETAINER KIT [2.EA]
	2-300-195	BRUSH END HOUSING ASSEMBLY 42"	*32	2061300	SCREW-CLAMP [2.EA]
6	2-400-101	PLAIN END HOUSING ASSEMBLY	*33	2011710	WASHER-CLAMP SCREW [2.EA]
7	144-049	BEARING- FLANGE ,SERVICE ONLY	34	2063605	T-BAR, PLASTIC
8	880-003	SEAL	35	2062706	SPRING- (T-BAR)
9	880-006	SEAL WITH SHIELD	36	2067201	LEVER-TILT BLACK
10	188-036	BRUSH ASSEMBLY [2.EA]	37	2061810	HINGE-PLASTIC
11	725-050	BRUSH RETENTION- PAPER TUBE	38	2037301	BUSHING-HINGE [2.EA]
12	738-036	BRUSH PLATE WITH HOLDER	39	2062800	TENSION BLOCK-SNAP IN
13	975-040	SPRING- TORSION [2.EA]	40	2011385	SCREW, TENSION/KNOB
14	337-036	GASKET	41	2060515	PIN, TILT LEVER
15	701-008	O-RING [2.EA]	42	2061520	COLLAR-DEPTH
16	701-081	O-RING	43	2011365	SCREW-COLLAR/NEW KNOB
17	830-007	SCREW- #8-32X1 [2.EA]	44	2050609	LEADWIRE (10 GA) SPADE TERM
18	830-042	THRU BOLT 10-32X8.83 [2EA]	45	2020702	SPADE TERMINAL 10GA. [2.EA]
19	990-067	WASHER - STEEL THRUST	46	2026300	TIE WRAP
20	990-070	WASHER- NYLATRON [2.EA]	47	2062510	CONTROL BOX
21	2097030	MOTOR ASSEMBLY 36"	48	2060214	CONTROL BOX COVER
	2097032	MOTOR ASSEMBLY 42"	49	2065642	DECAL COVER ENDURA 50
22	2032052	TUBE COMPOSITE 36"	50	2064023	SWITCH-FWD/REV 5 SP
	2032053	TUBE COMPOSITE 42"	51	2033400	SCREW-10-24 X 1-3/4
■	1378131	PROPELLER KIT	52	2013110	NUT-10-24 HEX
23	2091160	PROPELLER W/WEDGE 2	53	2012100	SCREW-8-18 X 5/8 [6.EA]
24	2151726	WASHER- 5/16 STD SS	54	2990901	HANDLE ASSEMBLY 5 SPEED
25	2053101	NUT-PROP NYLOC (MEDIUM)	55	2060405	PIVOT, HANDLE
26	2092600	PIN-DRIVE	56	2012102	SCREW

