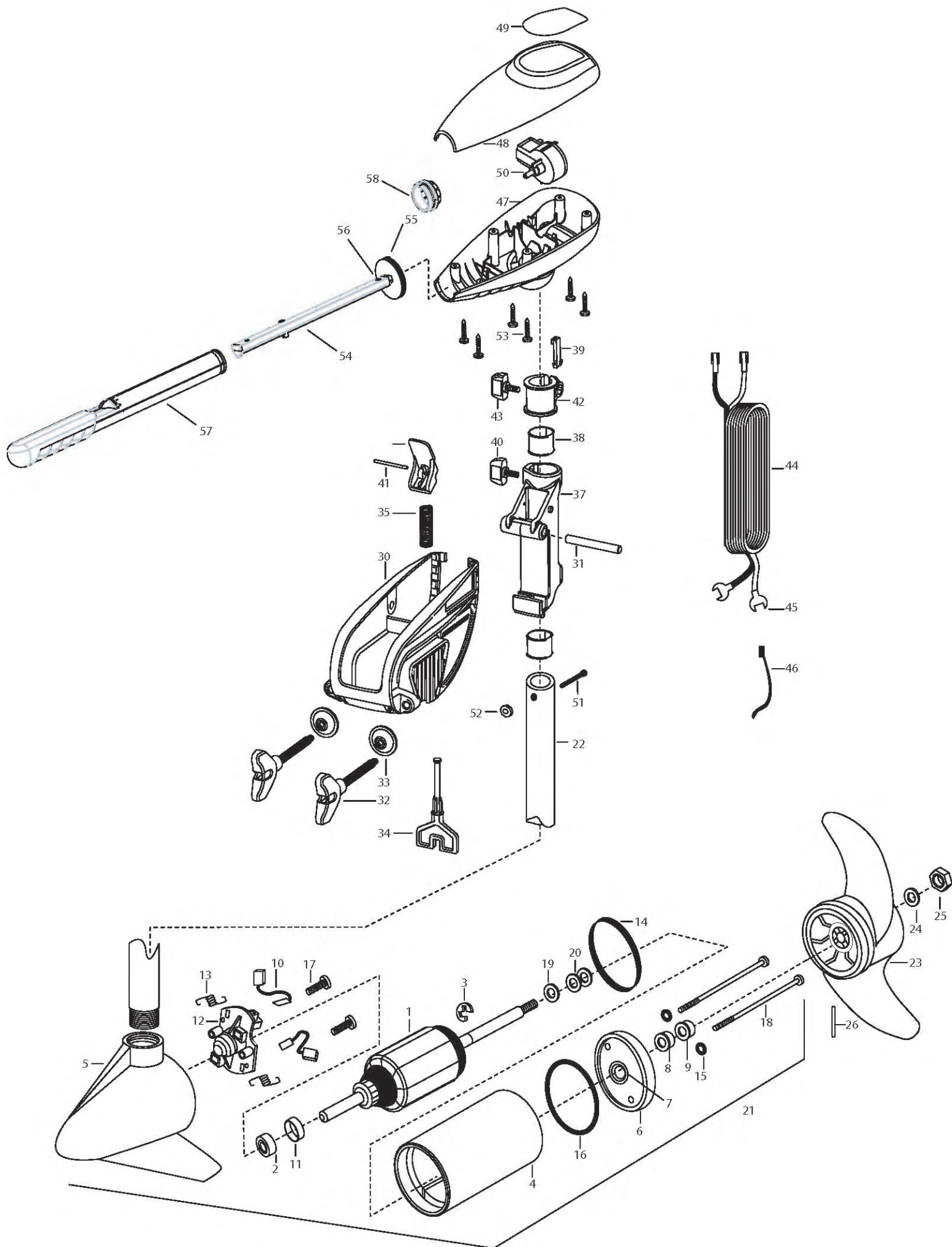


ENDURA 50  
50 LBS. THRUST  
12 VOLT 42 AMPS  
36" OR 42" SHAFT

for use with "J" serial numbers  
3-year warranty from the date of sale



|     |           |  |     |         |  |
|-----|-----------|--|-----|---------|--|
| 1   | 2-100-118 | ARMATURE ASSEMBLY 12V 3.62 FW              | ■   | 2881300 | SCREW-CLAMP, WASHER, RETAINER KIT [2.EA] |
| 2   | 140-010   | BEARING- BALL                              | *32 | 2061300 | SCREW-CLAMP [2.EA]                       |
| 3   | 788-015   | RETAINING RING                             | *33 | 2011710 | WASHER-CLAMP SCREW [2.EA]                |
| 4   | 2-200-101 | CENTER HOUSING ASSEMBLY-                   | 34  | 2063605 | T-BAR, PLASTIC                           |
| 5   | 2-300-196 | BRUSH END HOUSING ASSEMBLY 3.62 SPCO 36"   | 35  | 2062706 | SPRING- T-BAR                            |
|     | 2-300-195 | BRUSH END HOUSING ASSEMBLY 3.62 SPCO 42"   | 36  | 2067201 | LEVER-TILT BLACK                         |
| 6   | 2-400-101 | PLAIN END HOUSING ASSEMBLY                 | 37  | 2061810 | HINGE-PLASTIC                            |
| 7   | 144-049   | BEARING- FLANGE ,SERVICE ONLY              | 38  | 2037301 | BUSHING-HINGE [2.EA]                     |
| 8   | 880-003   | SEAL                                       | 39  | 2062800 | TENSION BLOCK-SNAP IN                    |
| 9   | 880-006   | SEAL WITH SHIELD                           | 40  | 2011385 | SCREW, TENSION/KNOB                      |
| 10  | 188-036   | BRUSH ASSEMBLY [2.EA]                      | 41  | 2060515 | PIN, TILT LEVER                          |
| 11  | 725-050   | BRUSH RETENTION- PAPER TUBE                | 42  | 2061520 | COLLAR-DEPTH                             |
| 12  | 738-036   | BRUSH PLATE WITH HOLDER                    | 43  | 2011365 | SCREW-COLLAR/NEW KNOB                    |
| 13  | 975-040   | SPRING- TORSION [2.EA]                     | 44  | 2050609 | LEADWIRE 10 GA SPADE TERM                |
| 14  | 337-036   | GASKET                                     | 45  | 2020702 | SPADE TERMINAL 10GA. [2.EA]              |
| 15  | 701-008   | O-RING [2.EA]                              | 46  | 2026300 | TIE WRAP [2.EA]                          |
| 16  | 701-081   | O-RING                                     | 47  | 2062510 | CONTROL BOX                              |
| 17  | 830-007   | SCREW- # 8-32 [2.EA]                       | 48  | 2060214 | CONTROL BOX COVER-ENDURA                 |
| 18  | 830-042   | THRU BOLT 10-32X8.83 [2EA]                 | 49  | 2065642 | DECAL COVER ENDURA 50                    |
| 19  | 990-067   | WASHER- STEEL THRUST                       | 50  | 2064023 | SWITCH-FWD/REV 5 SP                      |
| 20  | 990-070   | WASHER- NYLATRON [2.EA]                    | 51  | 2033400 | SCREW-10-24 X 1-3/4                      |
| 21  | 2097030   | MOTOR ASSEMBLY 12V 3.62 5SPC FW 36"        | 52  | 2013110 | NUT-10-24 HEX                            |
|     | 2097032   | MOTOR ASSEMBLY 12V 3.62 5SPC FW 42"        | 53  | 2012100 | SCREW-8-18 X 5/8 [6.EA]                  |
| 22  | 2032052   | TUBE COMPOSITE 36"                         | 54  | 2990919 | INNER HANDLE ASSEMBLY                    |
|     | 2032053   | TUBE COMPOSITE 42"                         | 55  | 2060405 | PIVOT, HANDLE                            |
| ■   | 1378131   | PROPELLER- KIT                             | 56  | 2012102 | SCREW                                    |
| 23  | 2091160   | PROP- W. WEDGE 2                           | 57  | 2990929 | OUTER HANDLE ASSEMBLY                    |
| 24  | 2151726   | WASHER- 5/16 STD SS                        | 58  | 2060009 | FRONT BEARING                            |
| 25  | 2053101   | NUT- NYLOC 5/16                            | ■   | 2888460 | O-RING, GASKET SEAL KIT                  |
| 26  | 2092600   | PIN-DRIVE                                  |     |         |  |
| ■   | 2771818   | BRACKET & HINGE ASSEMBLY (INCLUDES- 30—41) |     |         |  |
| ■   | 2771910   | BRACKET ASSEMBLY (INCLUDES- 30,32,33)      |     |         |  |
| *30 | 2061910   | BRACKET                                    |     |         |  |
| 31  | 2060510   | PIN-HINGE                                  |     |         |  |

\* This item is part of an assembly. This item cannot be sold separately due to machining and /or assembly that is required.

P/N 2064949

REV. D 11-06

12 Volt

