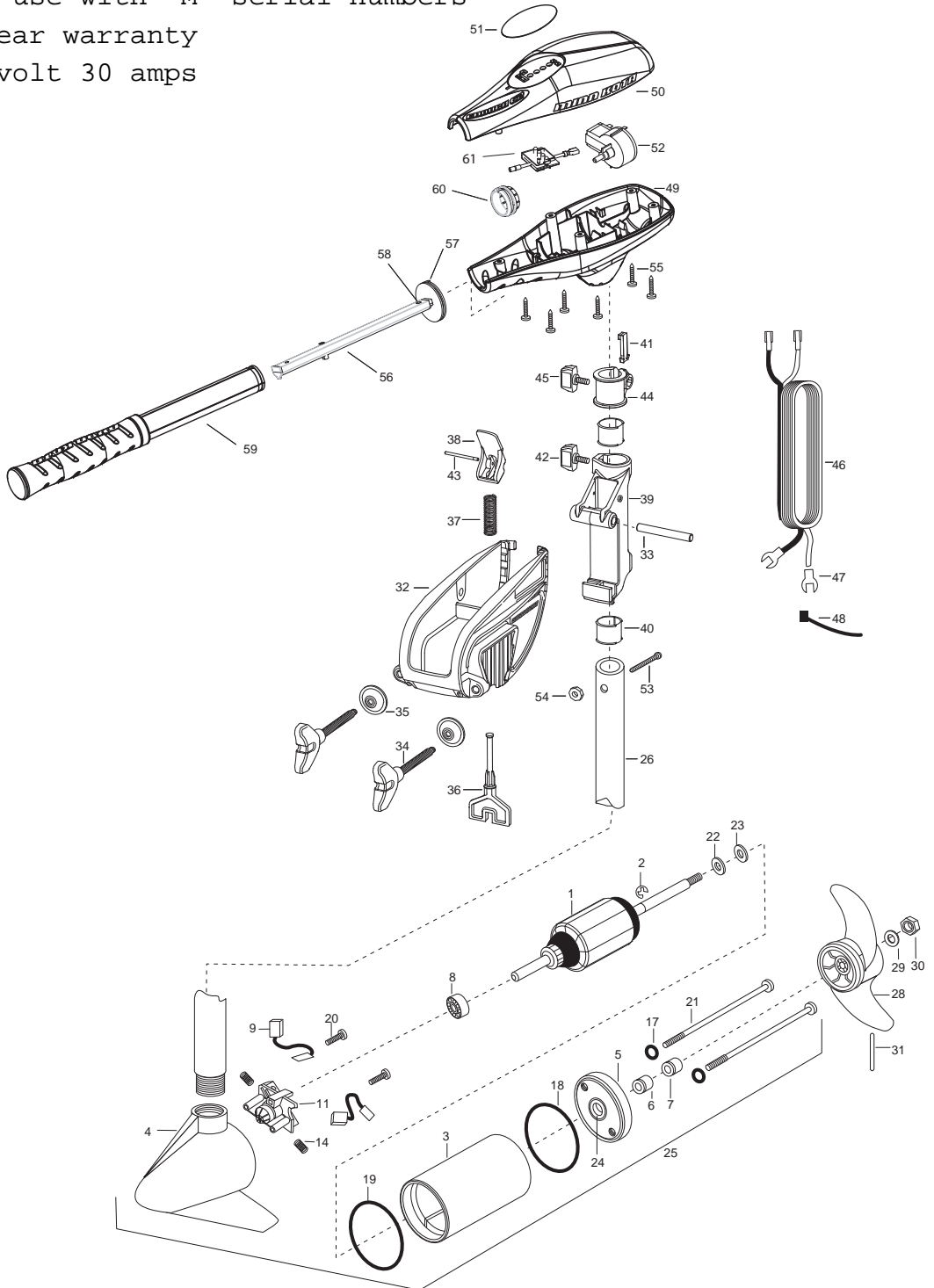


# ENDURA 30 (international) PARTS DIAGRAM

for use with "M" serial numbers

2-year warranty

12-volt 30 amps



# ENDURA 30 - 30" PARTS LIST

---

| <u>Item</u> | <u>Part Number</u> | <u>Description</u>                        |
|-------------|--------------------|---|
| 1           | 2-100-285          | ARMATURE ASSEMBLY 12v 3.25                |
| 2           | 788-015            | RETAINING RING                            |
| 3           | 2-200-188          | HOUSING ASSEMBLY CENTER 3.25 TXT          |
| 4           | 2-300-142          | BRUSH END HOUSING ASSEMBLY 3.25 SP.CO     |
| 5           | 2-400-187          | PLAIN END HOUSING ASSEMBLY 3.25           |
| 6           | 880-003            | SEAL                                      |
| 7           | 880-006            | SEAL W/SHIELD                             |
| 8           | 140-010            | BALL BEARING                              |
| 9           | 188-052            | BRUSH ASSEMBLY [2.EA]                     |
| 11          | 738-030            | BRUSH PLATE W/HOLDER 3.25                 |
| 14          | 975-032            | SPRING-COMPRESSION [2.EA]                 |
| 17          | 701-007            | O-RING- THRU BOLT [2.EA]                  |
| 18          | 701-039            | O-RING MK406460                           |
| 19          | 701-041            | O-RING                                    |
| 20          | 830-001            | SCREW- SELF THREAD 8-32X1.7 [2.EA]        |
| 21          | 830-062            | THRU BOLT 8-32X8.0 [2.EA]                 |
| 22          | 990-067            | WASHER- STEEL THRUST                      |
| 23          | 990-070            | WASHER- NYLATRON [2.EA]                   |
| 24          | 144-049            | FLANGE BEARING (SERVICE ONLY)             |
| 25          | 2069275            | MOTOR ASSEMBLY 12 V 3.25 5SPC TXT         |
| 26          | 2032045            | TUBE, COMPOSITE 30"                       |
| ■           | 1378121            | PROP W/DRIVE PIN, WASHER, NUT KIT         |
| 28          | 2061122            | PROPELLER 3.25 HUB DIA                    |
| 29          | 2151726            | WASHER- 5/16 STD SS                       |
| 30          | 2053101            | NUT-PROP NYLOCK (MED) SS                  |
| 31          | 2092600            | PIN-DRIVE                                 |
| ■           | 2771818            | BRACKET & HINGE ASSEMBLY (INCLUDES 32-43) |
| ■           | 2771910            | BRACKET ASSEMBLY (INCLUDES 32, 34, 35)    |
| *32         | 2061910            | BRACKET                                   |
| 33          | 2060510            | PIN-HINGE                                 |
| *34         | 2061300            | SCREW-CLAM [2.EA]                         |
| *35         | 2011710            | WASHER-CLAMP SCREW [2.EA]                 |
| 36          | 2063605            | T-BAR, PLASTIC                            |
| 37          | 2062706            | SPRING- (T-BAR)                           |

## PARTS LIST (cont.)

---

| <u>Item</u> | <u>Part Number</u> | <u>Description</u>                     |
|-------------|--------------------|--|
| 38          | 2067201            | LEVER-TILT BLACK                       |
| 39          | 2061810            | HINGES-PLASTIC                         |
| 40          | 2037301            | BUSHING-HINGE [2.EA]                   |
| 41          | 2062800            | TENSION BLOCK-SNAP IN                  |
| 42          | 2011385            | SCREW, TENSION/KNOB                    |
| 43          | 2060515            | PIN, TILT LEVER                        |
| 44          | 2061520            | COLLAR-DEPTH                           |
| 45          | 2011365            | SCREW-COLLAR/NEW KNOB                  |
| 46          | 2020630            | LEADWIRE (14 GA) FLAG/PIGGYBACK        |
| 47          | 2020703            | SPADE TERMINAL 14GA HD [2.EA]          |
| 48          | 2026300            | TIE WRAP                               |
| 49          | 2062515            | CONTROL BOX                            |
| 50          | 2060215            | CONTROL BOX COVER                      |
| 51          | 2065720            | DECAL COVER ENDURA C2 30 BATTERY METER |
| 52          | 2064028            | SWITCH-FWD/REV 5 SP                    |
| 53          | 2033401            | SCREW-10-24 X 1-3/4                    |
| 54          | 2013110            | NUT-10-24 HEX                          |
| 55          | 2012100            | SCREW-8-18 X 5/8 [6.EA]                |
| 56          | 2990919            | INNER HANDLE ASSEMBLY                  |
| 57          | 2060405            | PIVOT, HANDLE                          |
| 58          | 2012102            | SCREW                                  |
| 59          | 2990928            | OUTER HANDLE ASSEMBLY                  |
| 60          | 2060009            | FRONT BEARING                          |
| 61          | 2074070            | BATTERY METER 12V                      |
| ■           | 2883460            | SEAL AND O RING KIT                    |

\* This item is part of an assembly. This item cannot be sold separately due to machining and/or assembly that is required.

# WIRING DIAGRAM

