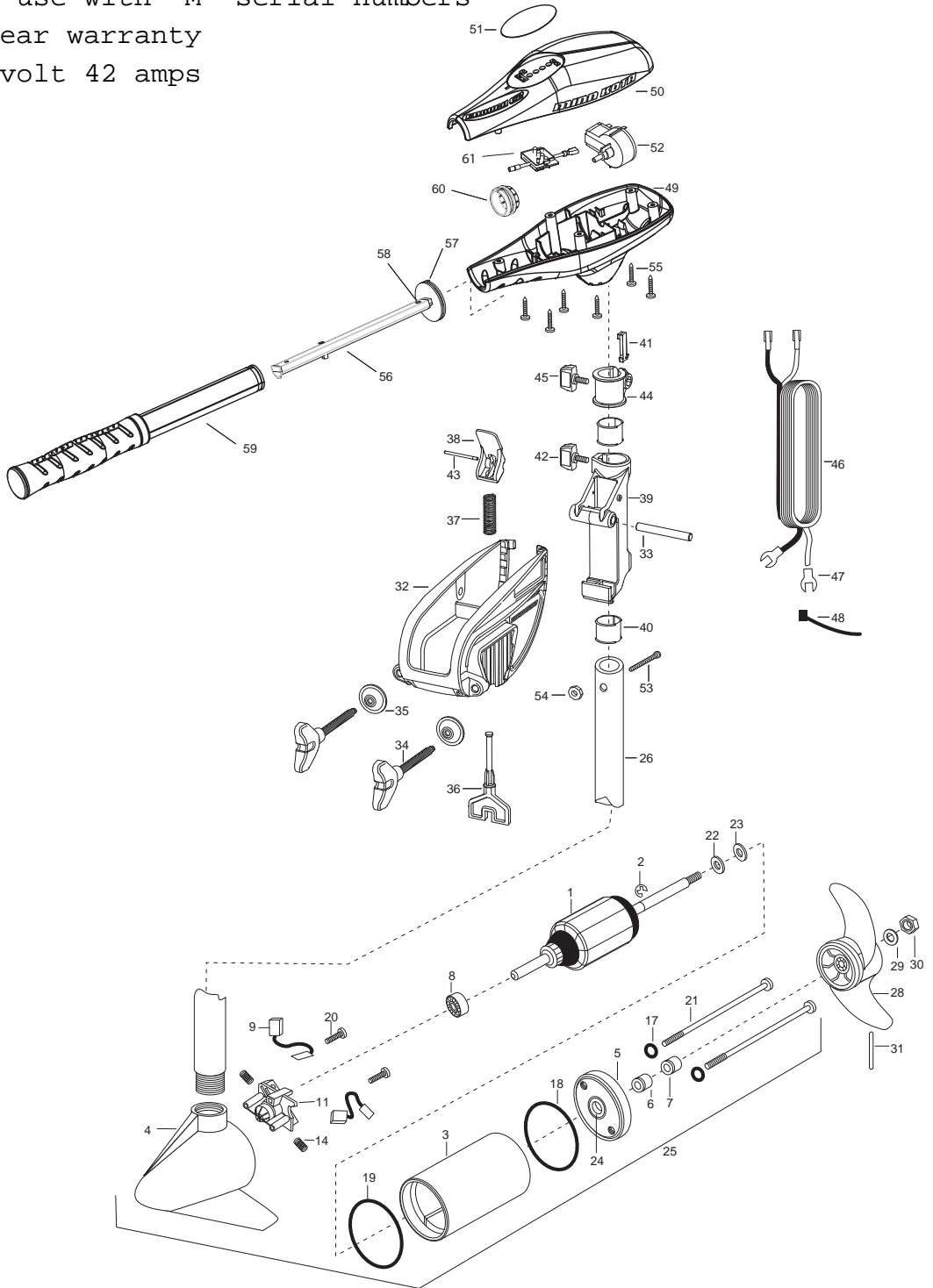


# ENDURA 45 (international) PARTS DIAGRAM

for use with "M" serial numbers  
2-year warranty  
12-volt 42 amps



# ENDURA 45 - 36" PARTS LIST

---

---

<u>Item</u>	<u>Part Number</u>	<u>Description</u>
1	2-100-204	ARMATURE ASSEMBLY 12v 3.25
2	788-015	BALL BEARING
3	2-200-079	HOUSING ASSEMBLY CENTER 3.25 TXT
4	2-300-132	BRUSH END HOUSING ASSEMBLY 3.25 SP.CO
5	2-400-187	PLAIN END HOUSING ASSEMBLY 3.25
6	880-003	SEAL
7	880-006	SEAL W/SHIELD
8	140-010	BALL BEARING
9	188-055	BRUSH ASSEMBLY [2.EA]
11	738-030	BRUSH PLATE W/HOLDER 3.25
14	975-032	SPRING-COMPRESSION [2.EA]
17	701-007	O-RING- THRU BOLT [2.EA]
18	701-039	O-RING
19	701-041	O-RING
20	830-001	SCREW- SELF THREAD 8-32X1.7 [2.EA]
21	830-078	THRU BOLT 8-32X8.0 [2.EA]
22	990-067	WASHER- STEEL THRUST
23	990-070	WASHER- NYLATRON [2.EA]
24	144-049	FLANGE BEARING
25	2069255	MOTOR ASSEMBLY 12V 3.25 5SPC TXT
26	2032046	TUBE, COMPOSITE 36"
■	1378121	PROP W/DRIVE PIN, WASHER, NUT KIT
28	2061122	PROPELLER 3.25 HUB DIA
29	2151726	WASHER- 5/16 STD SS
30	2053101	NUT-PROP NYLOCK (MED) SS
31	2092600	PIN-DRIVE
■	2771818	BRACKET & HINGE ASSEMBLY (INCLUDES 32-41)
■	2771910	BRACKET ASSEMBLY (INCLUDES 30, 32, 33)
*32	2061910	BRACKET
33	2060510	PIN-HINGE
*34	2061300	SCREW-CLAMP [2.EA]
*35	2011710	WASHER-CLAMP SCREW [2.EA]
36	2063605	T-BAR, PLASTIC
37	2062706	SPRING- (T-BAR)

## PARTS LIST (cont.)

---

<u>Item</u>	<u>Part Number</u>	<u>Description</u>
38	2067201	LEVER-TILT BLACK
39	2061810	HINGE-PLASTIC
40	2037301	BUSHING-HINGE [2.EA]
41	2062800	TENSION BLOCK-SNAP IN
42	2011385	SCREW, TENSION/KNOB
43	2060515	PIN, TILT LEVER
44	2061520	COLLAR-DEPTH
45	2011365	SCREW-COLLAR/NEW KNOB
46	2020631	LEADWIRE (10 GA) FLAG/PIGGYBACK
47	2020703	SPADE TERMINAL 14GA HD [2.EA]
48	2026300	TIE WRAP
49	2062515	CONTROL BOX
50	2060215	CONTROL BOX COVER
51	2065723	DECAL COVER ENDURA C2 45 BATTERY METER
52	2064028	SWITCH-FWD/REV 5 SP
53	2033401	SCREW-10-24 X 1-3/4
54	2013110	NUT-10-24 HEX
55	2012100	SCREW-8-18 X 5/8 [6.EA]
56	2990919	INNER HANDLE ASSEMBLY
57	2060405	PIVOT, HANDLE
58	2012102	SCREW
59	2990928	OUTER HANDLE ASSEMBLY
60	2060009	FRONT BEARING
61	2074070	BATTERY METER 12V
■	2883460	SEAL AND O RING KIT

\* This item is part of an assembly. This item cannot be sold separately due to machining and/or assembly that is required.

# WIRING DIAGRAM

