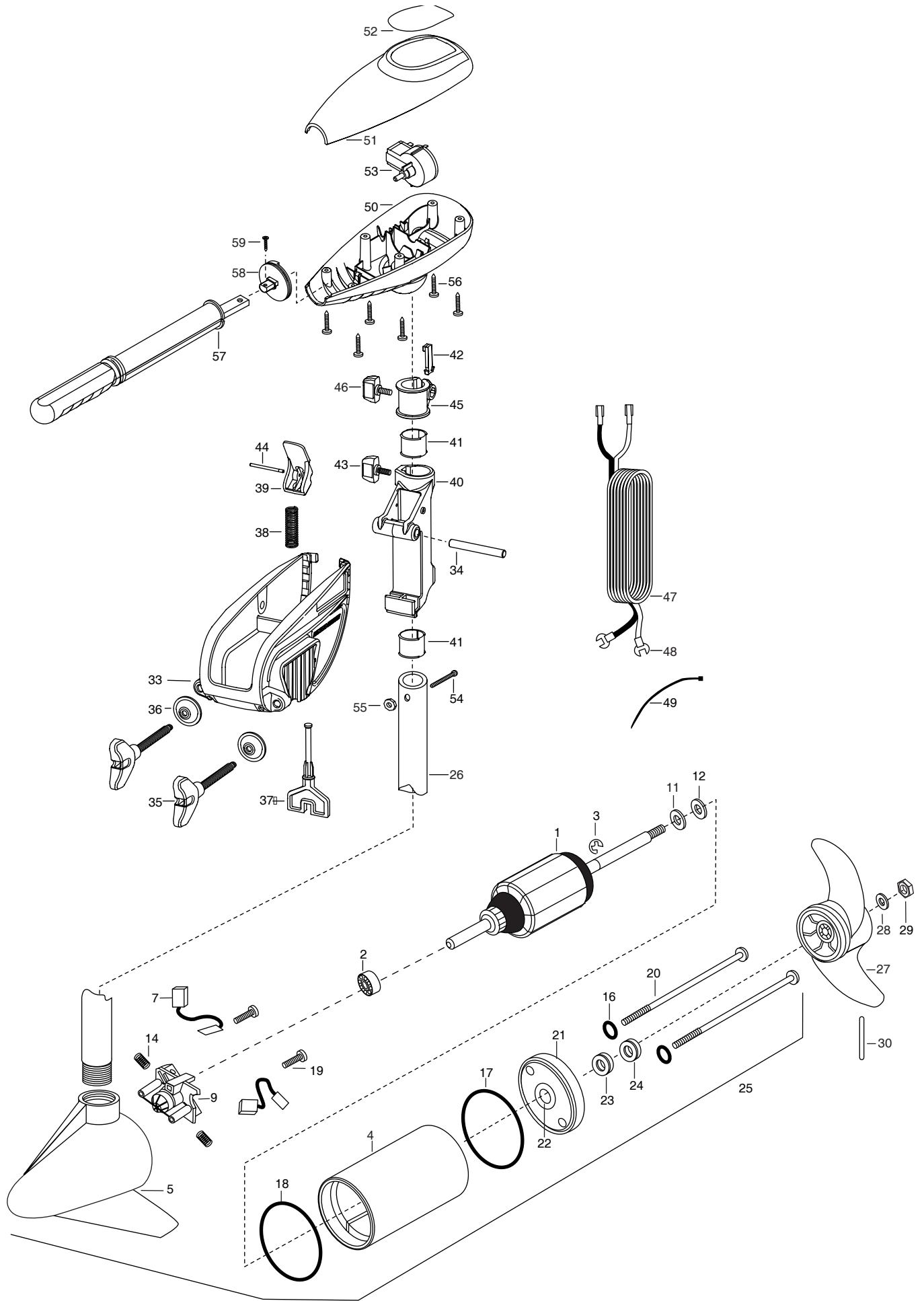


ENDURA PRO 38  
38 LBS THRUST  
12 VOLT 38 AMPS  
36" SHAFT

for use with "MKAF" serial numbers  
3-year warranty from the date of purchase



1	2-100-178	ARMATURE ASSEMBLY 12V 3.25	*36	2011710	WASHER -CLAMP SCREW [2.EA]
2	140-010	BEARING-BALL	37	2063605	T-BAR PLASTIC
3	788-015	RETAINING RING	38	2062706	SPRING -T-BAR
4	2-200-079	HOUSING ASSEMBLY CENTER 3.25 TXT	39	2067201	LEVER -TILT BLACK
5	2-300-132	BRUSH END HOUSING ASSEMBLY 3.25 SP CO	40	2061810	HINGE -PLASTIC
7	188-052	BRUSH ASSEMBLY [2.EA]	41	2037301	BUSHING -HINGE [2.EA]
9	738-030	BRUSH PLATE W/HOLDER 3.25 ASSEMBLY	42	2062800	TENSION BLOCK-SNAP IN
11	990-067	WASHER- STEEL THRUST	43	2011385	SCREW -TENSION/KNOB
12	990-070	WASHER- NYLATRON [2.EA]	44	2060515	PIN -TILT LEVER
14	975-032	SPRING- COMPRESSION [2.EA]	45	2061520	COLLAR -DEPTH ENDURA
16	701-007	O-RING [2.EA]	46	2011365	SCREW -COLLAR/NEW KNOB
17	701-039	O-RING MK406460	47	2050609	LEADWIRE -10 GA SPADE TERM
18	701-041	O-RING	48	2020702	TERMINAL -SPADE 10GA. [2.EA]
19	830-001	SCREW- SELF THREAD 8-32X1.7 [2.EA]	49	2256300	TIE WRAP
20	830-078	THRU BOLT 8-32X8.96 [2.EA]	50	2062510	CONTROL BOX ENDURA
21	2-400-128	HOUSING- PLAIN END PLAST ASSEMBLY INCL. 21, 22, 23, 24	51	2060214	CONTROL BOX COVER BLACK
22	144-049	BEARING -FLANGE (SERVICE ONLY)	52	2065649	DECAL- COVER ENDURA PRO 3
23	880-003	SEAL	53	2064023	SWITCH -FWD/REV 5 SP
24	880-006	SEAL W/SHIELD	54	2033401	SCREW -10-24X1-3/4 PPH ZP
25	2069241	MOTOR ASSEMBLY 12V 3.25 5SPC TXT	55	2013110	NUT -10-24 HEX ZCP
26	2032046	TUBE - COMPOSITE 36"	56	2012100	SCREW-8-18 X 5/8 THD CUT [6.EA]
■	1378121	PROPELLER KIT	57	2990901	HANDLE ASSEMBLY 5 SPEED
27	2061122	PROPELLER- 3.25 DIA HUB	58	2060405	PIVOT - HANDLE
28	2151726	WASHER 5/16 SS	59	2012102	SCREW
29	2053101	NUT -PROP 5/16			
30	2092600	PIN -DRIVE			
■	2771818	BRACKET & HINGE ASSEMBLY (INCL. 33—45)			
■	2771910	BRACKET ASSEMBLY (INCL. 33,35,36)			
*33	2061910	BRACKET			
34	2060510	PIN -HINGE			
■	2881300	CLAMP SCREW, WASHER, RETAINER KIT [2.EA]			
*35	2061300	SCREW -CLAMP [2.EA]			

Seal & Oring Kit P/N 2883460

\* This item is part of an assembly. This item cannot be sold separately due to machining and /or assembly that is required.

P/N 2064942 REV.A 6-02

