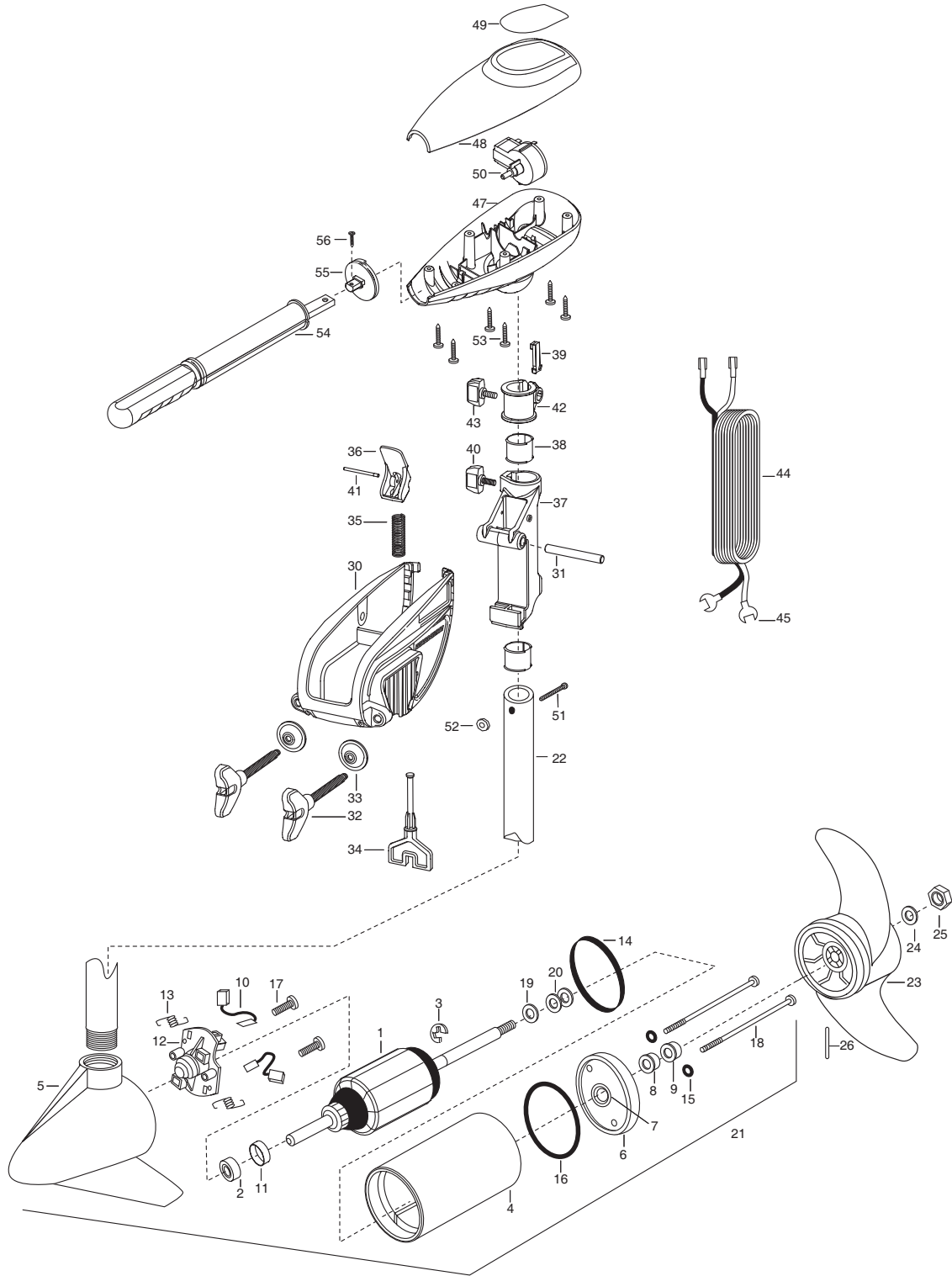


ENDURA 55 PRO
55 LBS. THRUST
12 VOLT 45 AMPS
36" SHAFT

for use with motors with serial numbers beginning MKAE
3-year warranty from the date of purchase



1	92-100-013	ARMATURE ASSEMBLY 12V 3.625 FW	■	2771818	BRACKET & HINGE ASSEMBLY (INCLUDES- 30—41)
2	140-010	BEARING- BALL	■	2771910	BRACKET ASSEMBLY (INCLUDES- 30,32,33)
3	788-015	RETAINING RING	*30	2061910	BRACKET
4	2-200-101	CENTER HOUSING ASSEMBLY 3.625 FW TXT	31	2060510	PIN-HINGE
5	2-300-196	BRUSH END HOUSING ASSEMBLY 3.625 SPCO 36"	■	2881300	SCREW-CLAMP, WASHER, RETAINER KIT {2.EA}
6	2-400-101	PLAIN END HOUSING ASSEMBLY 3.625	*32	2061300	SCREW-CLAMP [2.EA]
7	144-049	BEARING- FLANGE ,SERVICE ONLY	*33	2011710	WASHER-CLAMP SCREW [2.EA]
8	880-003	**SEAL	34	2063605	T-BAR, PLASTIC
9	880-006	**SEAL WITH SHIELD	35	2062706	SPRING- T-BAR
10	188-036	BRUSH ASSEMBLY 3.625 [2.EA]	36	2067201	LEVER-TILT BLACK
11	725-050	BRUSH RETENTION- PAPER TUBE	37	2061810	HINGE-PLASTIC
12	738-036	BRUSH PLATE WITH HOLDER	38	2037301	BUSHING-HINGE [2.EA]
13	975-040	SPRING- TORSION [2.EA]	39	2062800	TENSION BLOCK-SNAP IN
14	337-036	**GASKET	40	2011385	SCREW, TENSION/KNOB
15	701-008	**O-RING [2.EA]	41	2060515	PIN, TILT LEVER
16	701-081	**O-RING	42	2061520	COLLAR-DEPTH
17	830-007	#8-32 SCREW [2.EA]	43	2011365	SCREW-COLLAR/NEW KNOB
18	830-042	THRU BOLT 10-32X8.83 [2EA]	44	2050609	LEADWIRE 10 GA SPADE TERM
19	990-067	WASHER- STEEL THRUST	45	2020702	SPADE TERMINAL 10GA. [2.EA]
20	990-070	WASHER- NYLATRON [2.EA]	46	2062510	CONTROL BOX
21	2099092	MOTOR ASSEMBLY 12V 3.625 5SPC FW 36"	48	2060214	CONTROL BOX COVER-BLACK
22	2032052	TUBE COMPOSITE 36"	49	2065652	DECAL COVER ENDURA PRO 55
■	1378122	PROPELLER KIT	50	2064023	SWITCH-FWD/REV 5 SP
23	2091150	PROPELLER W/WEDGE	51	2033400	SCREW-10-24 X 1-3/4
24	2151726	WASHER- 5/16 STD SS	52	2013110	NUT-10-24 HEX
25	2053101	NUT-PROP NYLOC 5/16 SS	53	2012100	SCREW-8-18 X 5/8 [6.EA]
26	2092600	PIN-DRIVE	54	2990901	HANDLE ASSEMBLY 5 SPEED
			55	2060405	PIVOT, HANDLE
			56	2012102	SCREW

*Seal & Oring Kit P/N 2888460 * This item is part of an assembly. This item cannot be sold separately due to machining and /or assembly that is required.

P/N 2064936 REV.B 10-02

