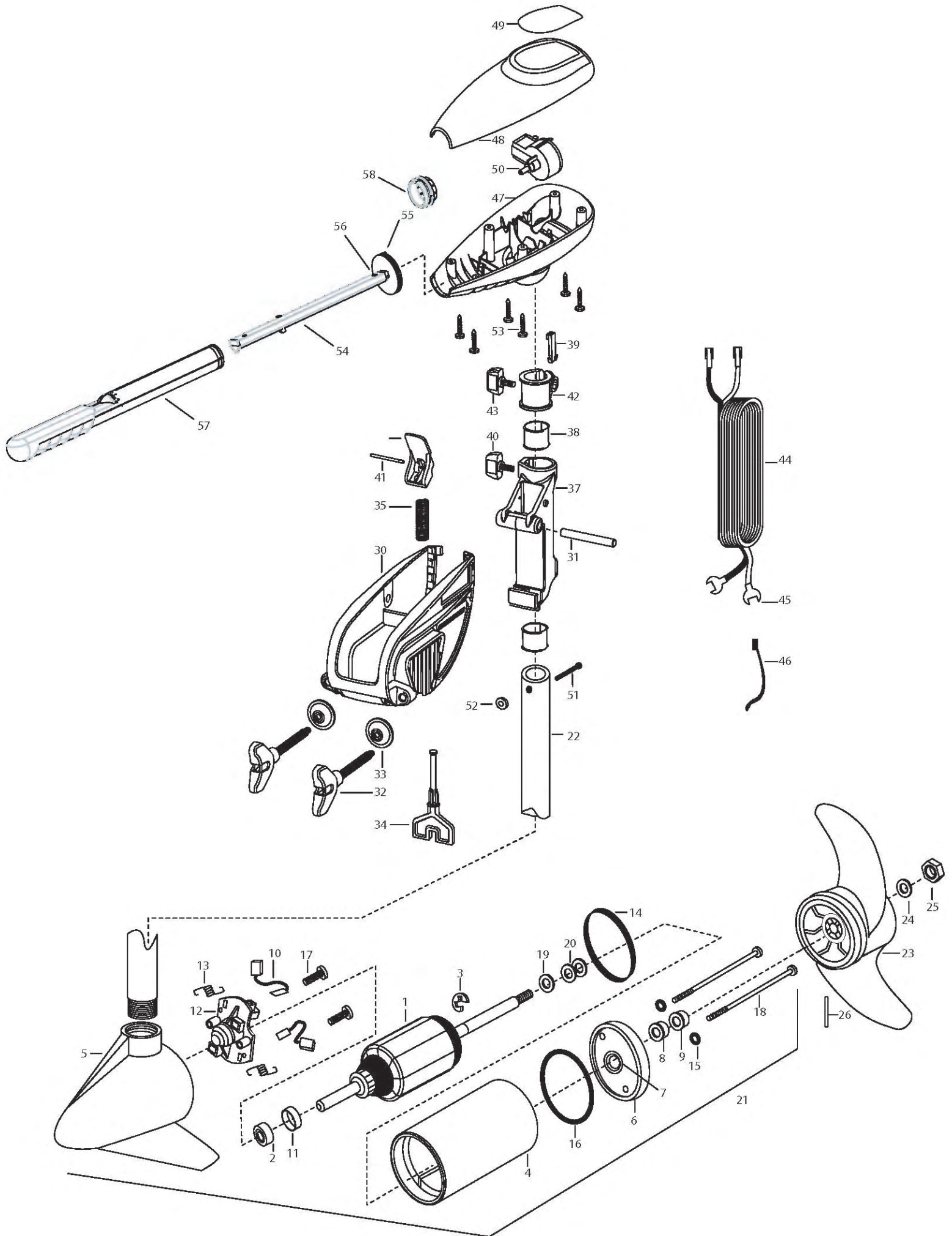


ENDURA PRO 55
55 LBS. THRUST
12 VOLT 50 AMPS
36" SHAFT

for use with "AI" serial numbers
3-year warranty from the date of purchase



| | | | | | |
|-----|-----------|--|----|---------|-----------------------------|
| 1 | 2-100-115 | ARMATURE ASSEMBLY 12V 3.62 FW | 34 | 2063605 | T-BAR, PLASTIC |
| 2 | 140-010 | BEARING- BALL | 35 | 2062706 | SPRING- T-BAR |
| 3 | 788-015 | RETAINING RING | 36 | 2067201 | LEVER-TILT BLACK |
| 4 | 2-200-101 | CENTER HOUSING ASSEMBLY- | 37 | 2061810 | HINGE-PLASTIC |
| 5 | 2-300-196 | BRUSH END HOUSING ASSEMBLY 3.62 SPCO 36" | 38 | 2037301 | BUSHING-HINGE [2.EA] |
| 6 | 2-400-101 | PLAIN END HOUSING ASSEMBLY | 39 | 2062800 | TENSION BLOCK-SNAP IN |
| 7 | 144-049 | BEARING- FLANGE ,SERVICE ONLY | 40 | 2011385 | SCREW, TENSION/KNOB |
| 8 | 880-003 | SEAL | 41 | 2060515 | PIN, TILT LEVER |
| 9 | 880-006 | SEAL WITH SHIELD | 42 | 2061520 | COLLAR-DEPTH |
| 10 | 188-036 | BRUSH ASSEMBLY [2.EA] | 43 | 2011365 | SCREW-COLLAR/NEW KNOB |
| 11 | 725-050 | BRUSH RETENTION- PAPER TUBE | 44 | 2050609 | LEADWIRE 10 GA SPADE TERM |
| 12 | 738-036 | BRUSH PLATE WITH HOLDER | 45 | 2020702 | SPADE TERMINAL 10GA. [2.EA] |
| 13 | 975-040 | SPRING- TORSION [2.EA] | 46 | 2026300 | TIE WRAP [2.EA] |
| 14 | 337-036 | GASKET | 47 | 2062510 | CONTROL BOX |
| 15 | 701-008 | O-RING [2.EA] | 48 | 2060214 | CONTROL BOX COVER-ENDURA |
| 16 | 701-081 | O-RING | 49 | 2065652 | DECAL COVER ENDURA PRO 55 |
| 17 | 830-007 | SCREW- # 8-32 [2.EA] | 50 | 2064023 | SWITCH-FWD/REV 5 SP |
| 18 | 830-042 | THRU BOLT 10-32X8.83 [2EA] | 51 | 2033400 | SCREW-10-24 X 1-3/4 |
| 19 | 990-067 | WASHER- STEEL THRUST | 52 | 2013110 | NUT-10-24 HEX |
| 20 | 990-070 | WASHER- NYLATRON [2.EA] | 53 | 2012100 | SCREW-8-18 X 5/8 [6.EA] |
| 21 | 2097092 | MOTOR ASSEMBLY 12V 3.62 5SPC FW 36" | 54 | 2990919 | INNER HANDLE ASSEMBLY |
| 22 | 2032052 | TUBE COMPOSITE 36" | 55 | 2060405 | PIVOT, HANDLE |
| ■ | 1378131 | PROPELLER- KIT | 56 | 2012102 | SCREW |
| 23 | 2091160 | PROP- W. WEDGE 2 | 57 | 2990929 | OUTER HANDLE ASSEMBLY |
| 24 | 2151726 | WASHER- 5/16 STD SS | 58 | 2060009 | FRONT BEARING |
| 25 | 2053101 | NUT- NYLOC 5/16 | ■ | 2888460 | O-RING, GASKET SEAL KIT |
| 26 | 2092600 | PIN-DRIVE | | | |
| ■ | 2771818 | BRACKET & HINGE ASSEMBLY (INCLUDES- 30—41) | | | |
| ■ | 2771910 | BRACKET ASSEMBLY (INCLUDES- 30,32,33) | | | |
| *30 | 2061910 | BRACKET | | | |
| 31 | 2060510 | PIN-HINGE | | | |
| ■ | 2881300 | SCREW-CLAMP, WASHER, RETAINER KIT [2.EA] | | | |
| *32 | 2061300 | SCREW-CLAMP [2.EA] | | | |
| *33 | 2011710 | WASHER-CLAMP SCREW [2.EA] | | | |

* This item is part of an assembly. This item cannot be sold separately due to machining and /or assembly that is required.

P/N 2064952 REV. C 11-06

